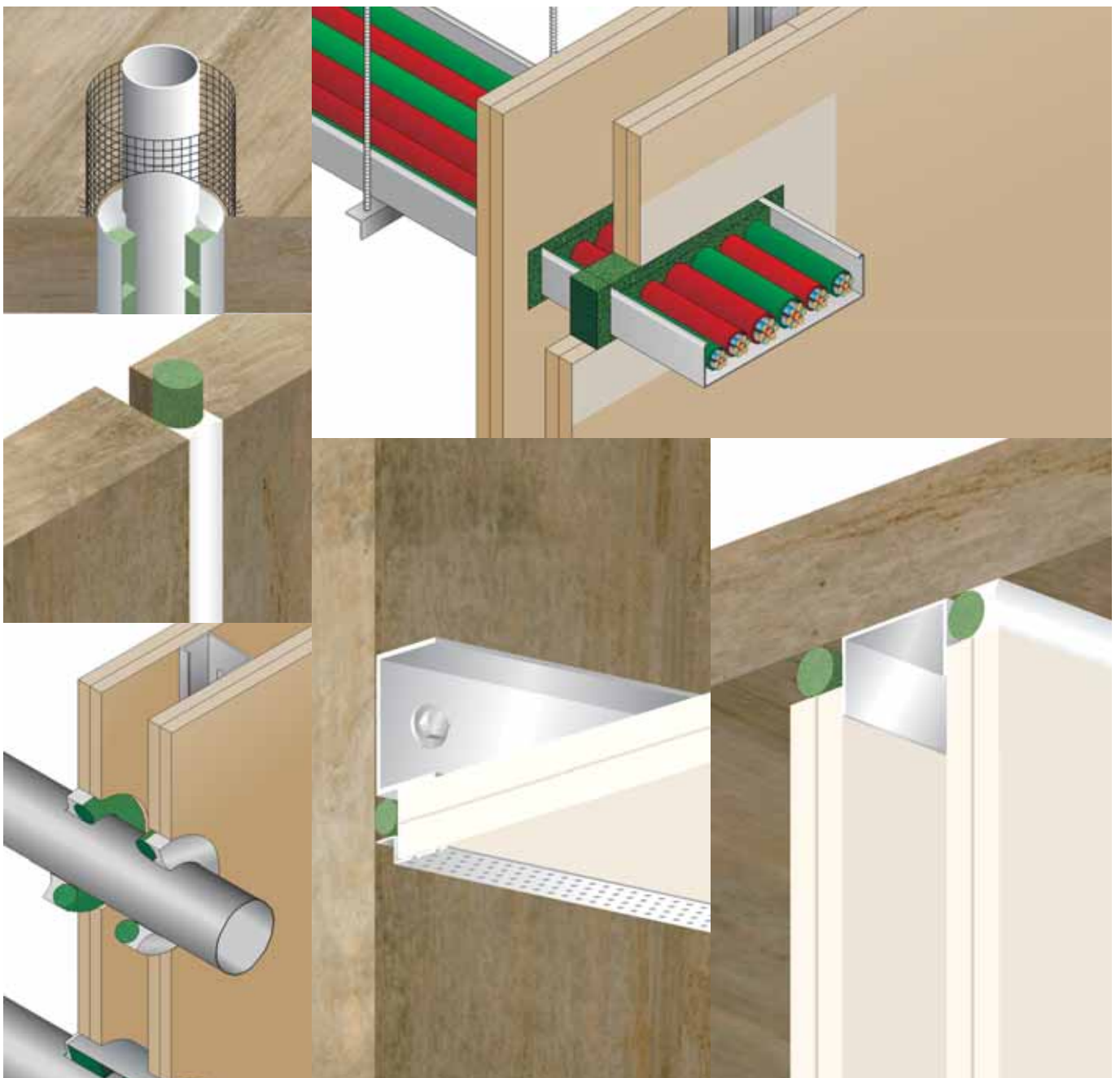
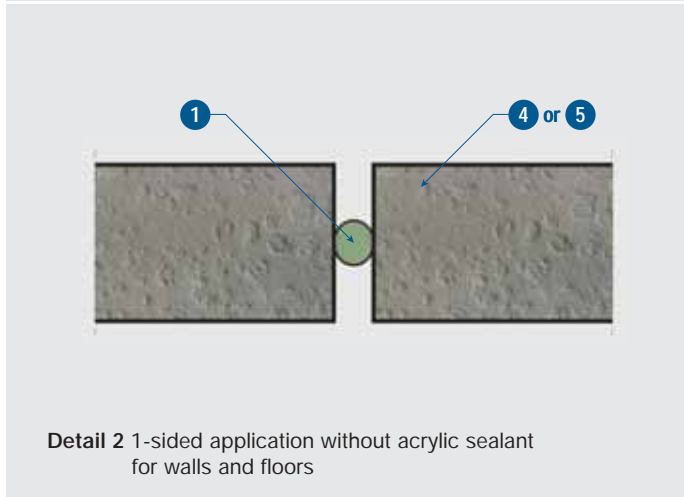
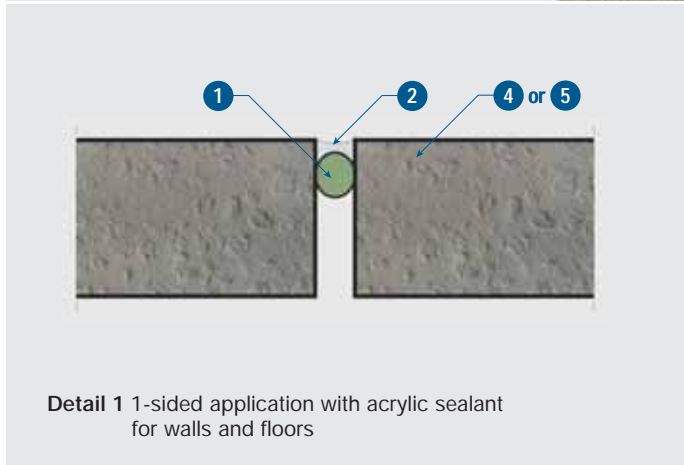
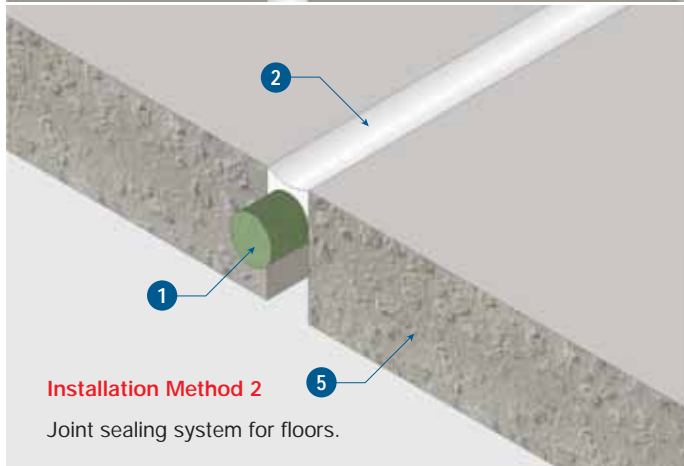
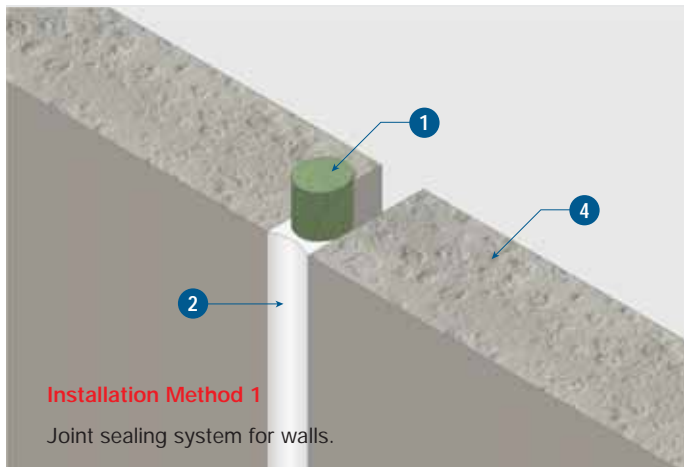


Promat



PROMASEAL® IBS™ Foam Strip Penetration Seals on Floors/Walls





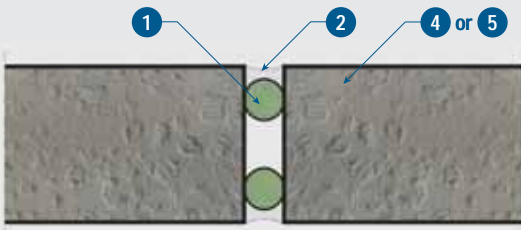
PROMASEAL® IBS™ Foam Strip is a flexible strip fire protection for joints and gaps tested to AS 1530: Part 4, AS4072: Part 1 and BS 476: Pt 20. Use of this product avoids problems with fire rated joints where non fire rated sealant could be substituted or the applied depth is questionable, with resulting difficulty in verification by the specifier and inspection authorities.

PROMASEAL® IBS™ Foam Strip is coloured for ease of identification. In some joint applications it can be used without a sealant cover to meet AS 1530: Part 4 requirements. Maximum gap sizes apply according to the table on the opposite page.

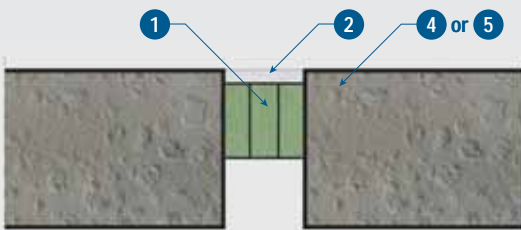
TECHNICAL DATA

Up to 4 hours fire rating in accordance with the criteria of AS 1530: Part 4, AS 4072: Part 1 and BS 476 Part: 20. The FRL will vary and applications are dependent on the barrier and the type and size of service. Contact Promat for further details.

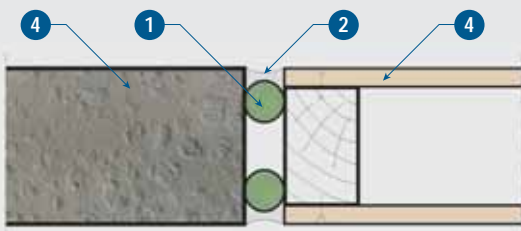
- 1 PROMASEAL® IBS™ Foam Strip or Backing Rod, various thicknesses
- 2 PROMASEAL® Acrylic Sealant (for use of other sealant in conjunction with PROMASEAL® IBS™ please contact Promat)
- 3 Calcium silicate or gypsum boards
- 4 Masonry wall or partition
- 5 Concrete floor
- 6 Steel channel support
- 7 Decorative edge trim



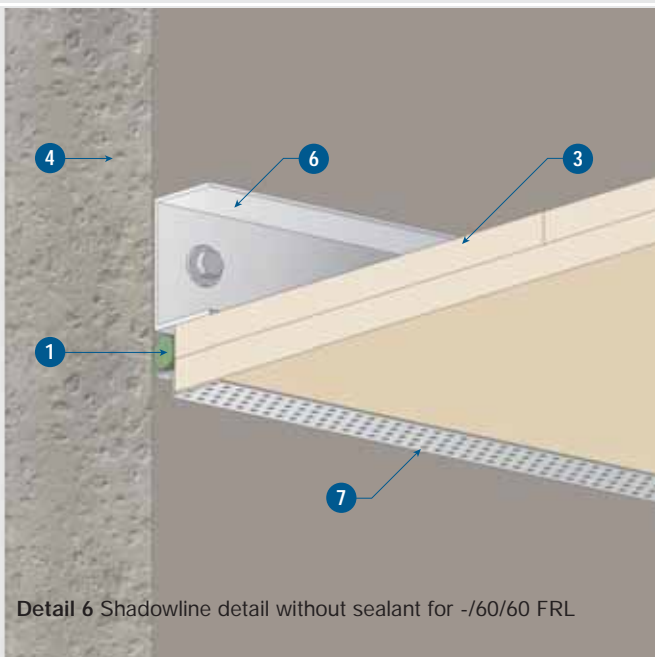
Detail 3 2-sided application with acrylic sealant for walls



Detail 4 Larger gaps for walls and floors



Detail 5 2-sided application with acrylic sealant for walls and partitions



Detail 6 Shadowline detail without sealant for -/60/60 FRL

Joint Sealing Systems for Walls & Floors

PROMASEAL® IBS™ Foam Strip is easy to install by compressing and inserting it into the joint or gap. For joints up to 18mm insert the IBS™ into the centre of the wall or floor or 10mm back from fire side. The addition of sealant is optional if installed in this way. For joints over 18mm follow the directions in the performance table below. Where joints or gaps are uneven, the maximum gap width is to be taken and matched to the nominal IBS™ size, and if through gaps still occur because of uneven surfaces, seal these gaps with a bead of PROMASEAL® Acrylic Sealant.

Appraisal Summary

- For gaps up to 30mm wide with the system applied to the non fire side, set the IBS™ 12mm below the surface. The use of a sealant is optional in this application. Sealant thicknesses apply to both non rated acrylic and silicone sealants.
- For gaps up to 30mm wide with the system applied to the centre of a masonry or concrete wall (top block must be solid or concrete filled) compress the IBS™ no less than 20%. Sealant is optional in this application.
- Fire Resistant Levels up to -/240/240 can be achieved in a four hour rated separating element. If the FRL of the separating element is lower than the FRL of the sealing system, the FRL should be reduced accordingly.
- Where butt joints occur in the IBS™ and sealant is not used, the FRL of the system can be maintained by applying an additional 50mm long strip of IBS™ over the joint on either the exposed or unexposed face or apply PROMASEAL® Acrylic Sealant over the butt joint to a depth of 5mm with a minimum of 5mm coverage on either side of the butt joint.
- Intermediate sizes for PROMASEAL® IBS™ Foam Strips or Rods and non rated sealants may be interpolated.

Performance Table

Configuration	Maximum joint width (mm)	Nominal IBS™ Thickness	Minimum non fire rated sealant thickness (mm)	Maximum FRL
System to non fire side only	18	22	9 (optional)*	-/240/120
	30	38	12 (optional)*	-/240/120
	35	38	12	-/240/120
	54	60	18	-/180/120
System to fire side only	65	80	20	-/180/120
	18	22	9**	-/240/240
	35	38	12	-/240/240
	54	60	18	-/240/240
System to mid-depth of wall slab	65	80	20	-/240/240
	18	22	Not required	-/240/120

* If sealant is not used in this application the FRL achieved will be -/180/90.

** If sealant is not used in this application the FRL achieved will be -/240/180.

NOTE: For applications to BS 476 Part: 20 the insulation time is reduced in some instances. Please contact Promat if these figures are required.

Metal Pipe Penetrations

PROMASEAL® IBS™ Foam Strip is of particular use where the size of the opening around services would result in the slumping of a sealant. It forms a slip joint at the service penetrations so that when services move, the integrity of the opening is maintained, unlike in many solid barriers where cracking can occur under these conditions.

For installation around cables, pipes, cable trays, fire dampers, fire walls and electrical switches refer to the drawings on the opposite page. PROMASEAL® Acrylic Sealant should be used for joints in IBS™ or where there may be uneven surfaces.

Where joints or gaps uneven, the maximum gap width is to be taken and matched for the nominal IBS™ size. For more details please refer to Promat.

TECHNICAL DATA

Up to 4 hours fire rating in accordance with the criteria of AS 1530: Part 4 and AS 4072: Part 1. The FRL will vary and applications are dependent on the barrier and the type and size of service. Contact Promat for further details.

1 PROMASEAL® IBS™ Foam Strip or Backing Rod, various thicknesses

2 PROMASEAL® IBS™ Sleeve

3 PROMASEAL® Acrylic Sealant

4 PROMASEAL® Fyre Guard

Optional for use around pipe when combustible materials may come in contact with (or < 100mm from) metal pipes that are not insulated.

5 Metal pipes

6 Calcium silicate or gypsum boards

7 Masonry wall or partition

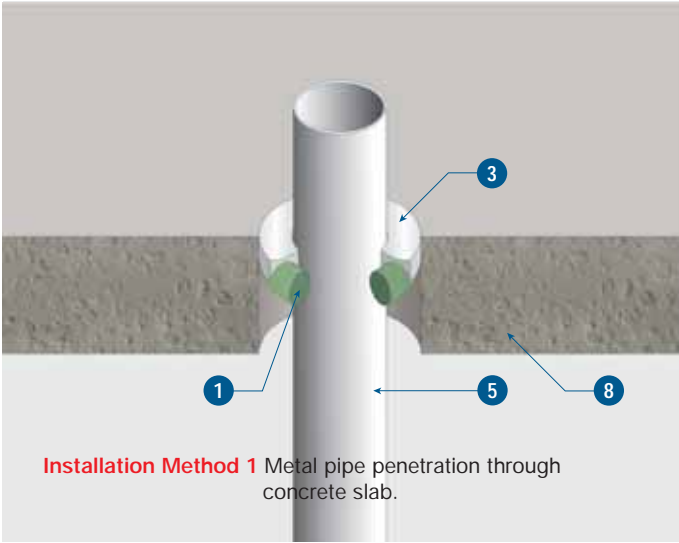
8 Concrete floor

9 Timber or steel stud

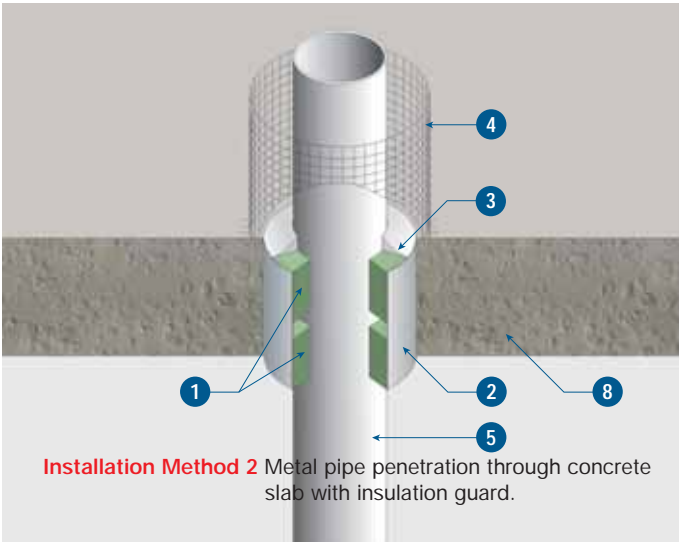
10 Steel track

11 Cables or cable tray

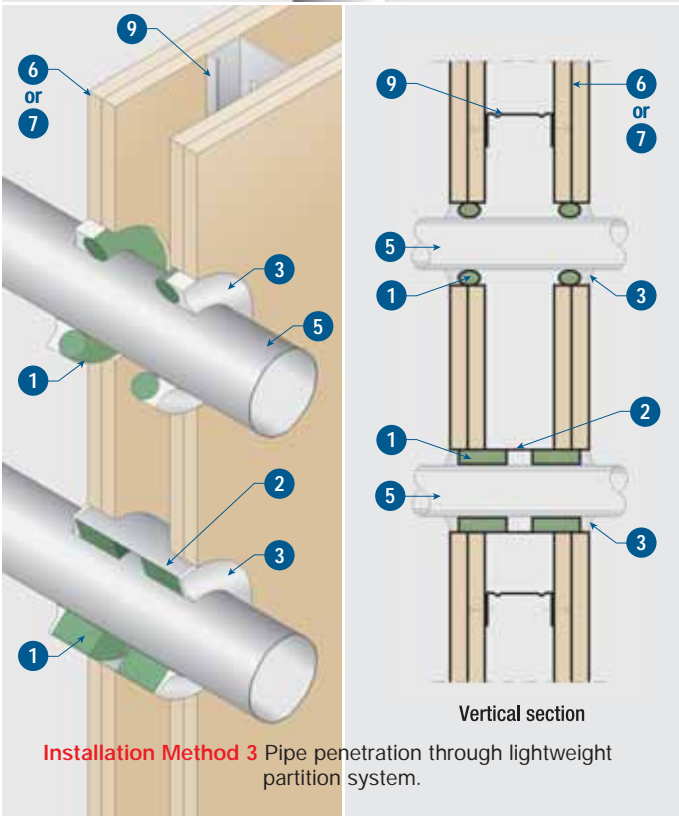
12 Ventilation ducts with hinged flap or drop shutter dampers



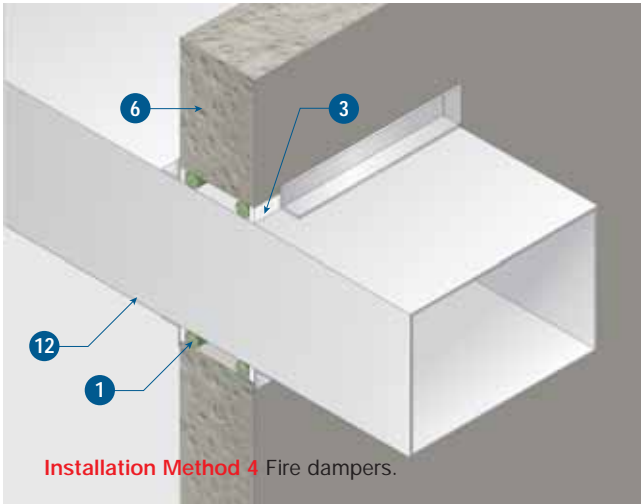
Installation Method 1 Metal pipe penetration through concrete slab.



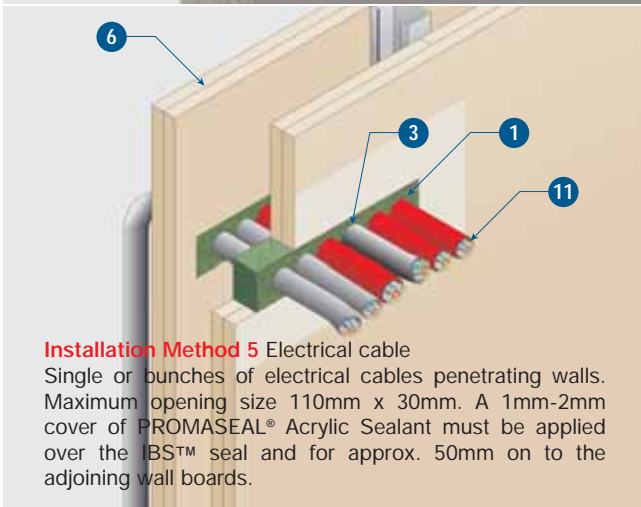
Installation Method 2 Metal pipe penetration through concrete slab with insulation guard.



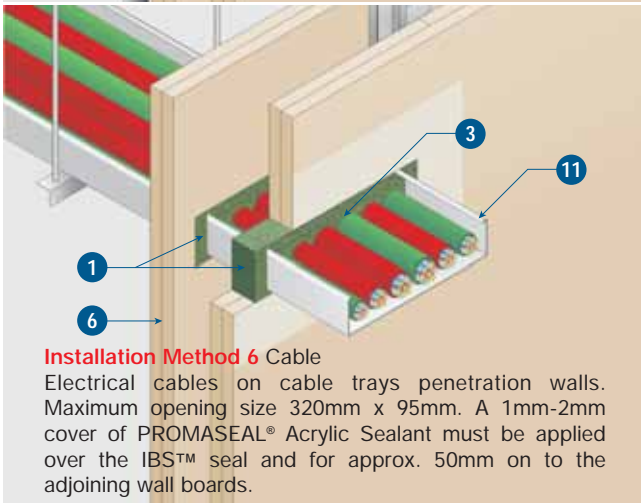
Installation Method 3 Pipe penetration through lightweight partition system.



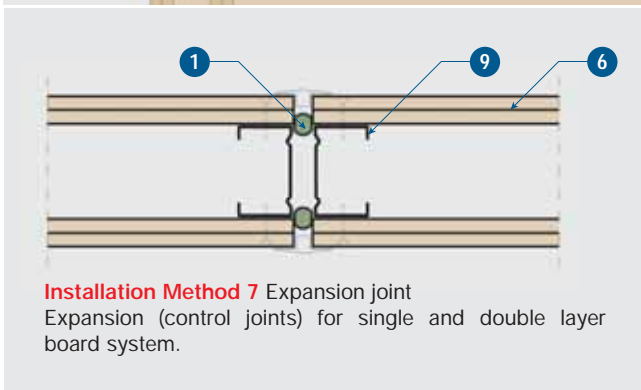
Installation Method 4 Fire dampers.



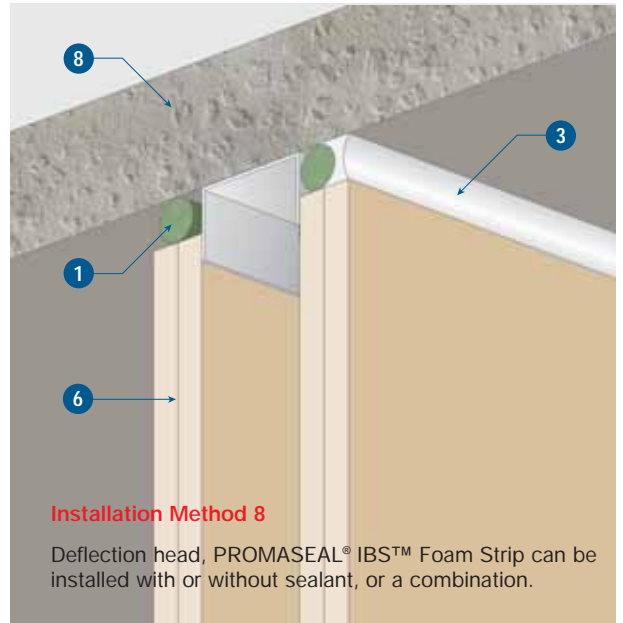
Installation Method 5 Electrical cable
Single or bunches of electrical cables penetrating walls. Maximum opening size 110mm x 30mm. A 1mm-2mm cover of PROMASEAL® Acrylic Sealant must be applied over the IBS™ seal and for approx. 50mm on to the adjoining wall boards.



Installation Method 6 Cable
Electrical cables on cable trays penetration walls. Maximum opening size 320mm x 95mm. A 1mm-2mm cover of PROMASEAL® Acrylic Sealant must be applied over the IBS™ seal and for approx. 50mm on to the adjoining wall boards.

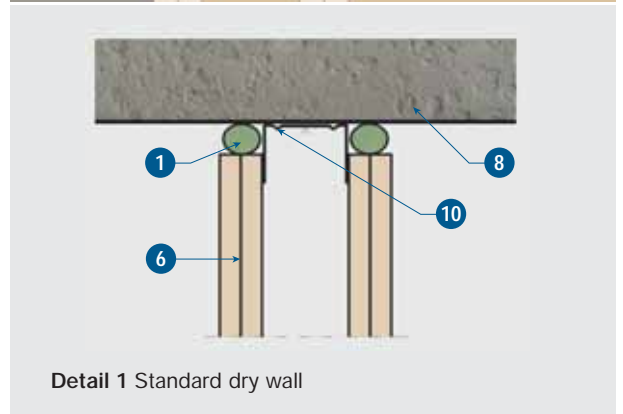


Installation Method 7 Expansion joint
Expansion (control joints) for single and double layer board system.

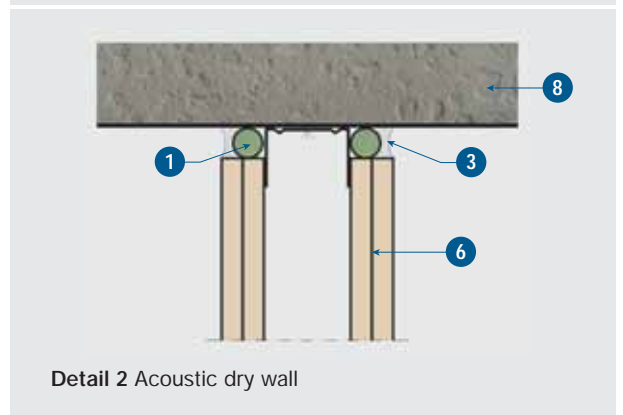


Installation Method 8

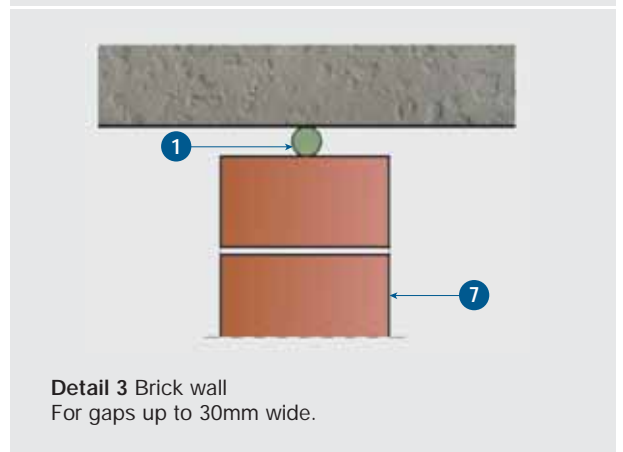
Deflection head, PROMASEAL® IBS™ Foam Strip can be installed with or without sealant, or a combination.



Detail 1 Standard dry wall



Detail 2 Acoustic dry wall



Detail 3 Brick wall
For gaps up to 30mm wide.

Fire Performance

Tested up to 4 hours fire rating according to AS 1530: Part 4 and AS 4072. The Fire Resistance Level (FRL) will vary and applications are dependent on the barrier and the type and size of service.

Advantages of PROMASEAL® IBS™ Foam Strip

- Fire rated for periods of up to 4 hours
- Easy to use
- Quick to install
- Allows for pipe movement
- Multiple applications available
- Coloured for ease of identification

Function of PROMASEAL® IBS™ Foam Strip

- Cable and pipe penetrations
- Deflection heads
- Fire dampers
- Floor joints
- Cable trays
- Wall joints
- Control joints

Lightweight Fire & Acoustic Wall System

PROMASEAL® IBS™ foam strip is supplied as part of lightweight fire and acoustic wall system which have been developed to satisfy the ever growing demand for noise abatement in residential and commercial applications.

These wall systems are primarily used for partitions, corridor and shaft walls, in high rise apartments, multi-residential developments, hotels and commercial construction.

In order to maintain the fire resistance level of the systems, PROMASEAL® IBS™ foam strips must be installed in the deflection head. The IBS™ is positioned at the head of the panel (or blockwork system) and compressed as the panels are fixed in place. The installation of IBS™ may vary between manufacturers' systems and should be checked prior to installation.



PROMASEAL® IBS™ Foam Strip comes in tube shapes.



Lightweight Fire & Acoustic Wall System

Specification

Service penetrations and control joints in floors, walls and ceilings are to be sealed using PROMASEAL® IBS™ Foam Strip and PROMASEAL® Acrylic Sealant as tested to AS 1530: Part 4 and AS 4072: Part 1 to maintain the required FRL of -/xxx/xxx of the element. Services penetrating may include metal pipes, cables, dampers, metal conduits, etc.

All details to be in accordance with the manufacturer's printed instructions. All work to be certified by the installer in an approved manner.

Important Notes

Promat product data sheets and health and safety data sheets are regularly reviewed and are available on request. The successful use of this product is dependent on a number of factors. As the information contained in this literature can only be of a general nature, it is advisable to consult our technical department if there is any doubt about the correct use of this product in a particular application. Our technical representatives and advisors are available to provide further technical and commercial assistance.

PROMASEAL® IBS™ Foam Strip is manufactured under a quality management system certified in accordance with ISO 9001: 2000 Certification and it has passed the site audit of ISO 14001 and in accordance with the environmental standards of ISO 14001.

ASIA PACIFIC HEADQUARTERS

Promat International (Asia Pacific) Ltd.
Tel: +60 (3) 2095 5111
Fax: +60 (3) 2095 6111
Email: info@promat-ap.com

AUSTRALIA

Promat Australia Pty. Ltd.
Tel: +1 800 30 20 20
Fax: +61 (8) 8352 1014
Email: mail@promat.com.au

New South Wales Office
Promat Australia Pty. Ltd.
Tel: +1 800 30 20 20
Fax: +61 (2) 9630 0258
Email: mail@promat.com.au

Victoria Office
Promat Australia Pty. Ltd.
Tel: +1 800 30 20 20
Fax: +61 (3) 9645 3844
Email: mail@promat.com.au

CHINA

Promat China Ltd.
Tel: +86 (20) 8136 1167
Fax: +86 (20) 8136 1372
Email: info@promat.com.cn

Beijing Office
Promat North China
(Division of Promat China Ltd.)
Tel: +86 (10) 6583 6102
Fax: +86 (10) 6583 6173
Email: info@promat.com.cn

HONG KONG

Promat International (Asia Pacific) Ltd.
Tel: +852 2836 3692
Fax: +852 2834 4313
Email: apromath@promat.com.hk

INDIA

Promat International (Asia Pacific) Ltd.
(India Representative Office)
Tel: +91 (11) 2433 1594
Fax: +91 (11) 2433 1595
Email: raman@promat-asia.com

MALAYSIA

Promat (Malaysia) Sdn. Bhd.
Tel: +60 (3) 2095 8555
Fax: +60 (3) 2095 2111
Email: info@promat.com.my

SINGAPORE

Promat Building System Pte. Ltd.
Tel: +65 6776 7635
Fax: +65 6776 7624
Email: info@promat.com.sg

VIETNAM

Promat International (Asia Pacific) Ltd.
(Vietnam Representative Office)
Tel: +84 (8) 931 5964
Fax: +84 (8) 931 5964
Email: phuong@promat-asia.com

OFFICIAL WEBSITE
www.promat-ap.com

Your local Promat supplier

